

# Saffire™ EVO LZ-D

## Wi-Fi Deadbolt Lock



### Applications

- Get real-time notifications, including events and access anomalies
- Manage access rights to allow or revoke access for residents and visitors in real time, from anywhere
- Easily send digital keys or PIN codes to residents and visitors from a mobile device
- Allow residents to use their mobile device, RFID credentials or PIN to access their residence or common areas
- Provide convenient one-time or recurring access PINs to service and maintenance personnel
- Control when and where residents and visitors can go throughout the building
- Quickly delete lost access media to keep the building secure.

### Overview

Saffire EVO LZ-D is a cloud-connected RFID deadbolt lock that combines high-performance with aesthetics, seamlessly integrating with building technology providers and amenities for multihousing properties. The Saffire EVO LZ-D provides an easy-to-use, secure and flexible solution with the benefits of real-time connectivity. It includes the convenience of using either mobile devices, RFID credentials, or secure PINs for access to resident units, common areas and perimeter doors.

### Security with IoT connectivity

The Saffire EVO LZ-D deadbolt lock is equipped with Wi-Fi onboard, ensuring

connectivity to the dormakaba Lyazon cloud and seamless integration to our Lyazon partner platforms for real-time events and user notifications. Online connectivity of the Saffire EVO LZ-D also provides continuous updates for built-in device security.

### Designed for our aggregator partners

The Saffire EVO LZ product portfolio is specifically designed to integrate with our dormakaba Lyazon partner platforms to ensure a premium user experience for multifamily residents. The dormakaba Saffire EVO LZ cloud-connected smart locks allow easy access management of residences, amenities, common areas and

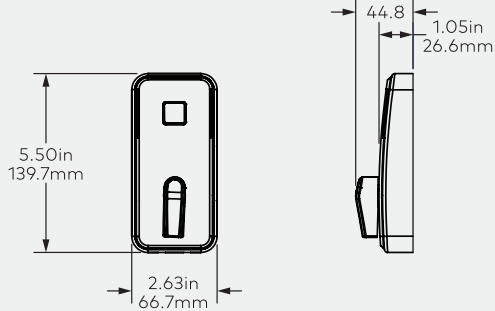
perimeters, all through a single integrated platform.

### Security features

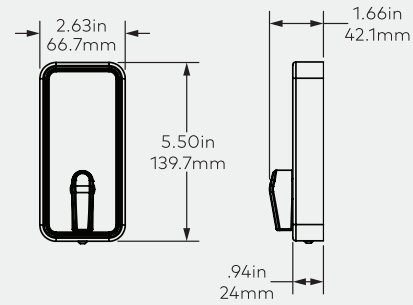
- Online connectivity ensures continuous firmware updates for increased device security
- BHMA A156.36 Grade 2
- UL 10C 3-hour fire rating
- Non-volatile memory maintains lock programming and audit records
- Tamper-proof design
- No need to visit the lock to update access

## Factsheet

OUTSIDE TRIM FOR LZ-D



INSIDE TRIM FOR LZ-D



### Mechanical Features

<b>Description</b>	Electronic deadbolt lockset with clutch mechanism and built-in Wi-Fi connectivity, RFID, Bluetooth and keypad
<b>Handing</b>	Field handed
<b>Finishes</b>	Trim finishes: satin chrome C (626), oil-rubbed bronze Z (613)**, bright chrome R (625), satin nickel N (619), satin brass (606) and black K (622).
<b>Door Thickness</b>	From 1 3/8" to 2 1/8" (35mm to 54mm)
<b>Locking Options</b>	ANSI/BHMA A156.36 Grade 2 with 1" deadbolt
<b>Batteries</b>	3 AA for 13 months. Low-battery indicator to help with preventative maintenance. It is visible on the device and has an event notification in the system. Passive warning and notification.
<b>Electronic Battery Backup</b>	Electronic Lock Power Supply (ELPS) battery backup. ELPS part number 118-515990
<b>Wi-Fi Online Control</b>	Wi-Fi 2.4GHz IEEE, 802.11 b/g/n, WPA2, WPA, AES 128 and TLS 1.2, -70dB signal strength at the lock

### Mobile Access

<b>BLE Enabled</b>	Bluetooth Low Energy 2.4 GHz version 4.2, iOS or Android mobile device support, AES 128 and DTLS security, supported through partner mobile app
--------------------	-------------------------------------------------------------------------------------------------------------------------------------------------

### Lock Operation

<b>No Touring</b>	New credentials applied to lock through Wi-Fi
<b>Electronic Access</b>	User-defined, customizable access for residents, visitors, and property managers available through partner application
<b>Audit Trail</b>	Audit trail managed through Wi-Fi 5,000 events
<b>Credential Formats</b>	dormakaba ComID high-security credentials 13.56MHz MIFARE DESFire EV2/EV3 ISO card or fob / mobile access credentials (BLE) / 6-digit PIN codes
<b>Feedback LED</b>	Light indicators
<b>Diagnostics Backup</b>	Lock diagnostics done through partner application
<b>Memory</b>	Non-volatile memory stores up to 5,000 events

\*\* Oil-rubbed bronze is a PVD finish

## Certifications & Testing

---

<b>Certification</b>	BHMA A156.25; BHMA 156.36 Grade 2; Florida Building Code HVHZ & non-HVHZ
<b>Accessibility Standard</b>	Complies with 2010 ADA Standards for Accessible Design. Must be installed according to ADA and local requirements
<b>Fire Rating</b>	Meets UL 10C and ULC S-104, on fire door rated up to and including 3 hours
<b>Electronics</b>	Compliant with RED Directive 2014/53/EU for electromagnetic compatibility and FCC part 15 and RSS-247 Industry Canada requirement
<b>Environmental Operating Conditions</b>	-31°F to 158°F (-35°C to 70°C), 0% to 90% non-condensing humidity at 86°F (30°C) meets IP54

## Warranty

---

<b>Standard Warranty</b>	Two years
--------------------------	-----------

\*\* Oil-rubbed bronze is a PVD finish

---

**Any questions? We would be happy to advise you.**

Contact us at: 1-800-849-8324